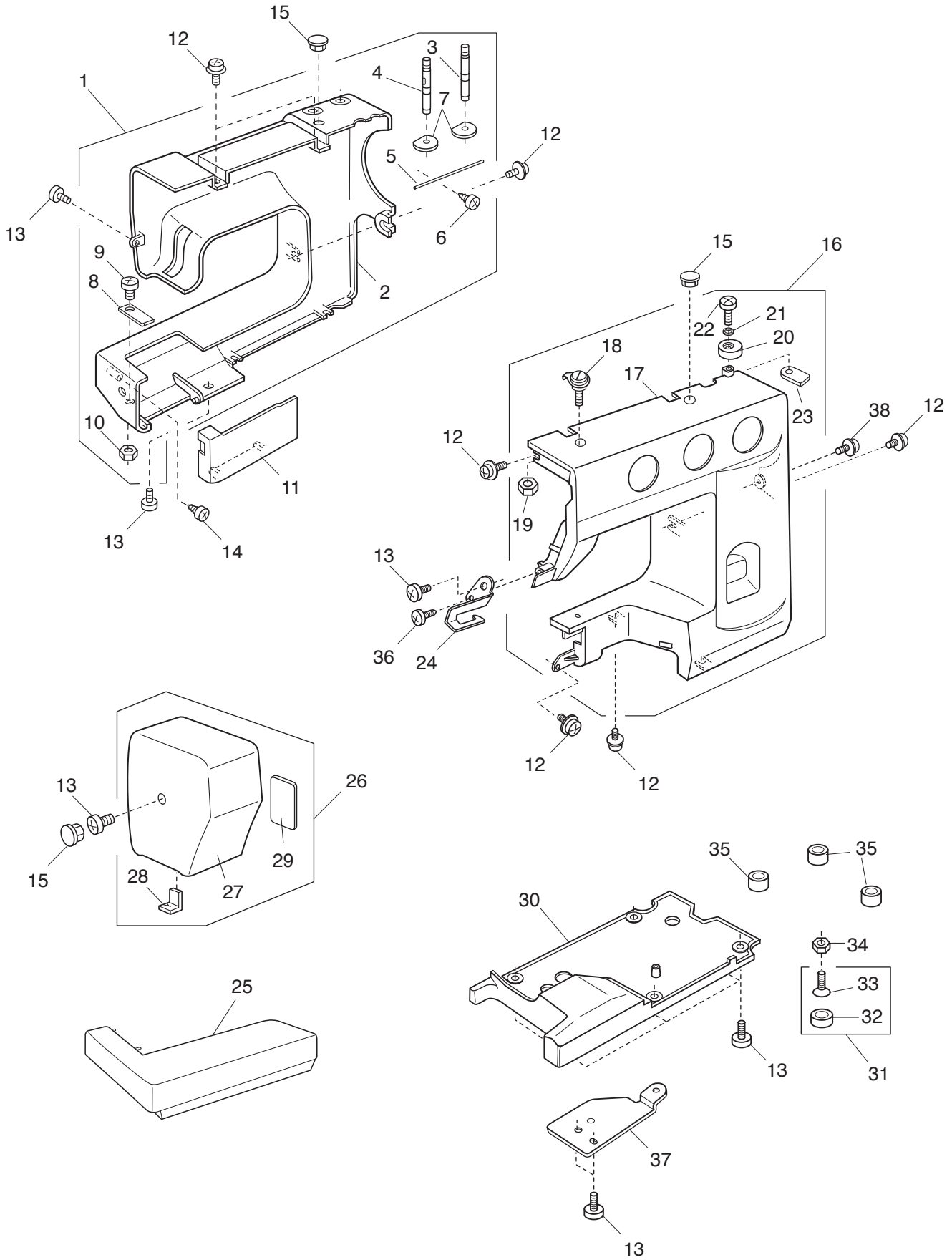


**PARTS LIST**

**1580LX**

**JANOMAC**

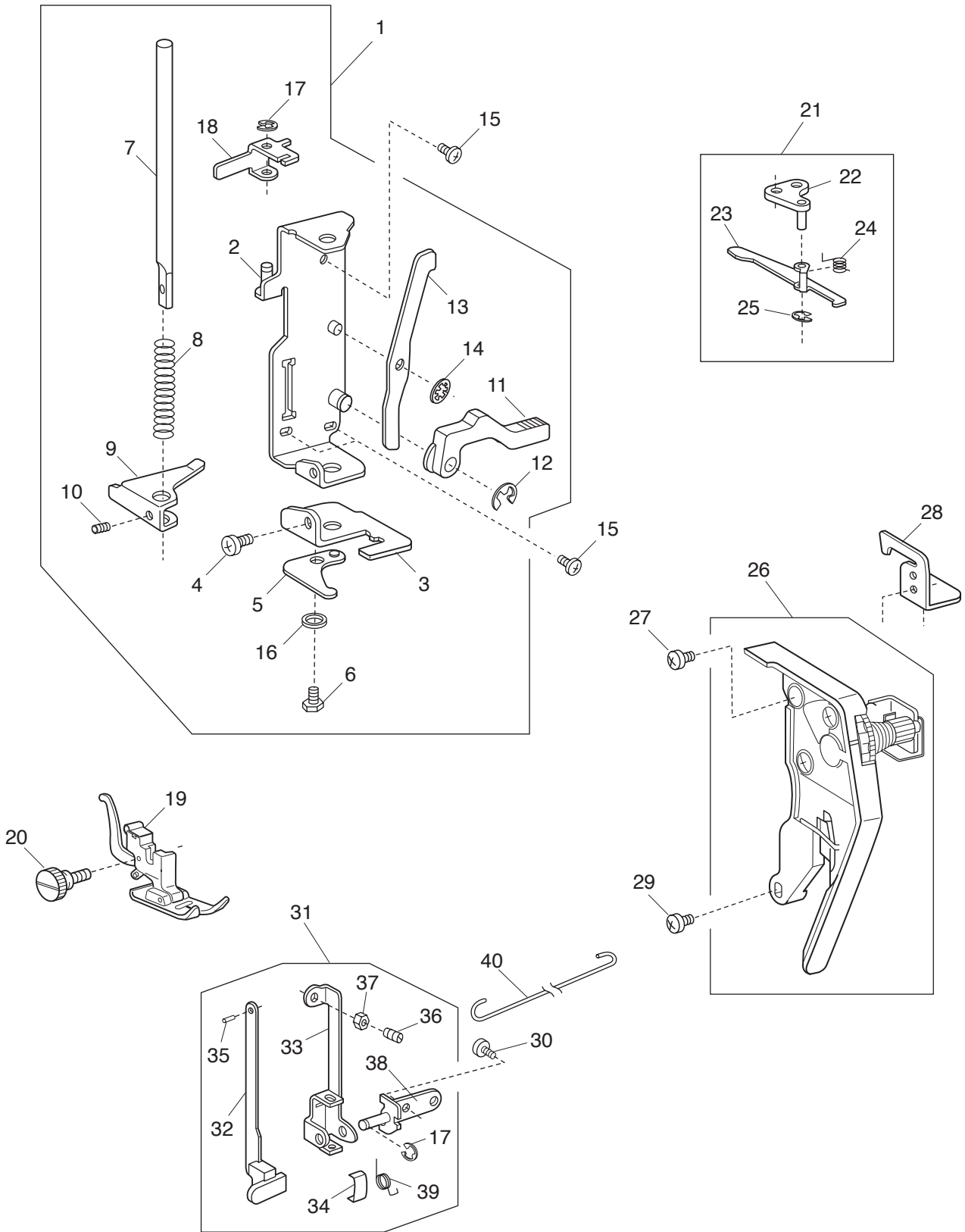
# PARTS LIST



# PARTS LIST

KEY NO.	PARTS NO.	DESCRIPTION
1	747601003	Rear cover (unit)
2	747002123	Rear cover
3	652205006	Spool pin
4	652302004	Spool pin
5	736007009	Spool pin spring
6	000076317	Setscrew 3x10
7	735013005	Spool pin spring base
8	730006000	Spring
9	000101404	Setscrew 4x6
10	000061205	Nut 4-3-7
11	739004005	Bed cover plate
12	000115205	Setscrew TP 4x6
13	000081005	Setscrew 4x8
14	000121905	Setscrew 4x12 (B)
15	653006101	Cap
16	748603075	Front cover (unit)
17	748008281	Front cover
18	730501011	Thread guide plate (unit)
19	000160102	Adjustable lock nut 4
20	735016307	Bobbin winder stopper
21	000071013	Washer
22	000103107	Setscrew 4x14
23	744014004	Nut
24	745031000	Thread guard plate
25	748004003	Extension table
26	748601305	Face plate (unit)
27	748002300	Face plate
28	840602006	Thread cutter (unit)
29	724025006	Face plate sticker
30	747001007	Base plate
31	735616200	Rubber base (unit)
32	735002001	Rubber base
33	000097901	Flat screw
34	000061319	Nut 5-1-8
35	739064003	Bed rubber base
36	000107307	Tapping screw 3x8 (B)
37	745004004	Base set plate
38	000114802	Setscrew TP 3x12

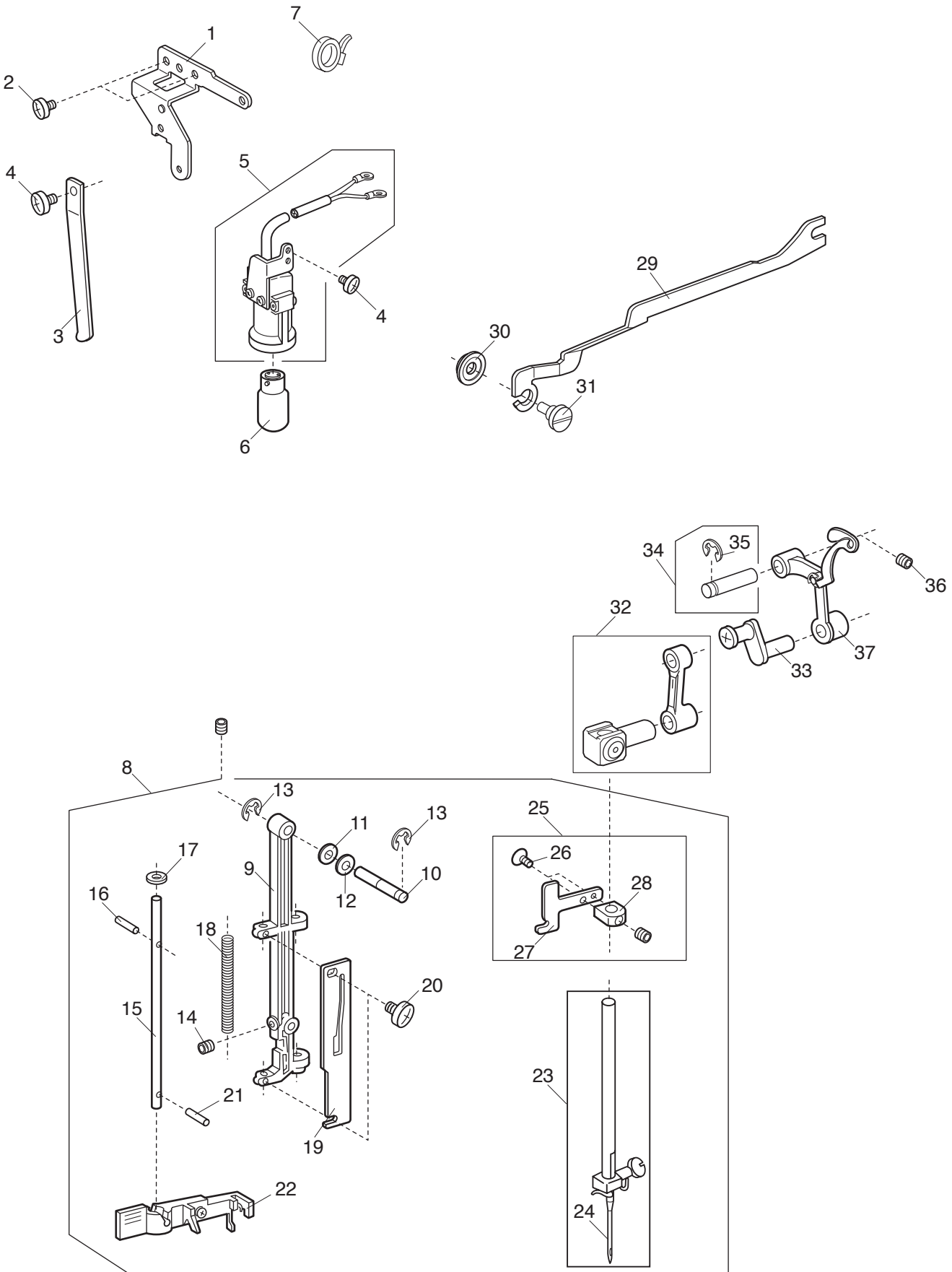
# PARTS LIST



# PARTS LIST

KEY NO.	PARTS NO.	DESCRIPTION
1	308611106	Presser bar base plate (unit)
2	308060001	Presser bar base plate
3	735222009	Needle drop adjusting plate
4	000101404	Setscrew 4x6
5	735025000	Needle bar supporter stopper
6	000138307	Bolt 4x8
7	303017101	Presser bar
8	735027002	Presser bar spring
9	735028003	Presser bar bracket
10	000111500	Hexagonal socket screw 4x8
11	735029004	Presser foot lifter
12	000001609	Snap ring E-5
13	735030008	Tension release lever
14	000013903	Snap ring CS-5
15	000081005	Setscrew 4x8
16	000070506	Washer
17	000002105	Snap ring E-3
18	740051001	BH regulating lever
19	301612003	Presser foot (unit)
20	660106001	Thumb screw
21	739605002	Tension release arm (unit)
22	739017001	Tension release arm base
23	739018002	Tension release arm
24	739019003	Tension release spring
25	000002105	Snap ring E-3
26	748501005	Tension assembly (unit)
27	000103808	Setscrew 3x5
28	739016000	Top cover thread guide
29	000101703	Setscrew 4x12
30	000103808	Setscrewe 3x5
31	740617001	BH lever (unit)
32	753629109	BH lever (unit)
33	740047004	BH lever supporter
34	753027008	Friction spring
35	000023009	Spring pin
36	000113306	Socket screw 4x10
37	000160102	Adjustable lock nut 4
38	740048005	BH lever base plate
39	740049006	BH lever spring
40	740052002	BH shifting rod

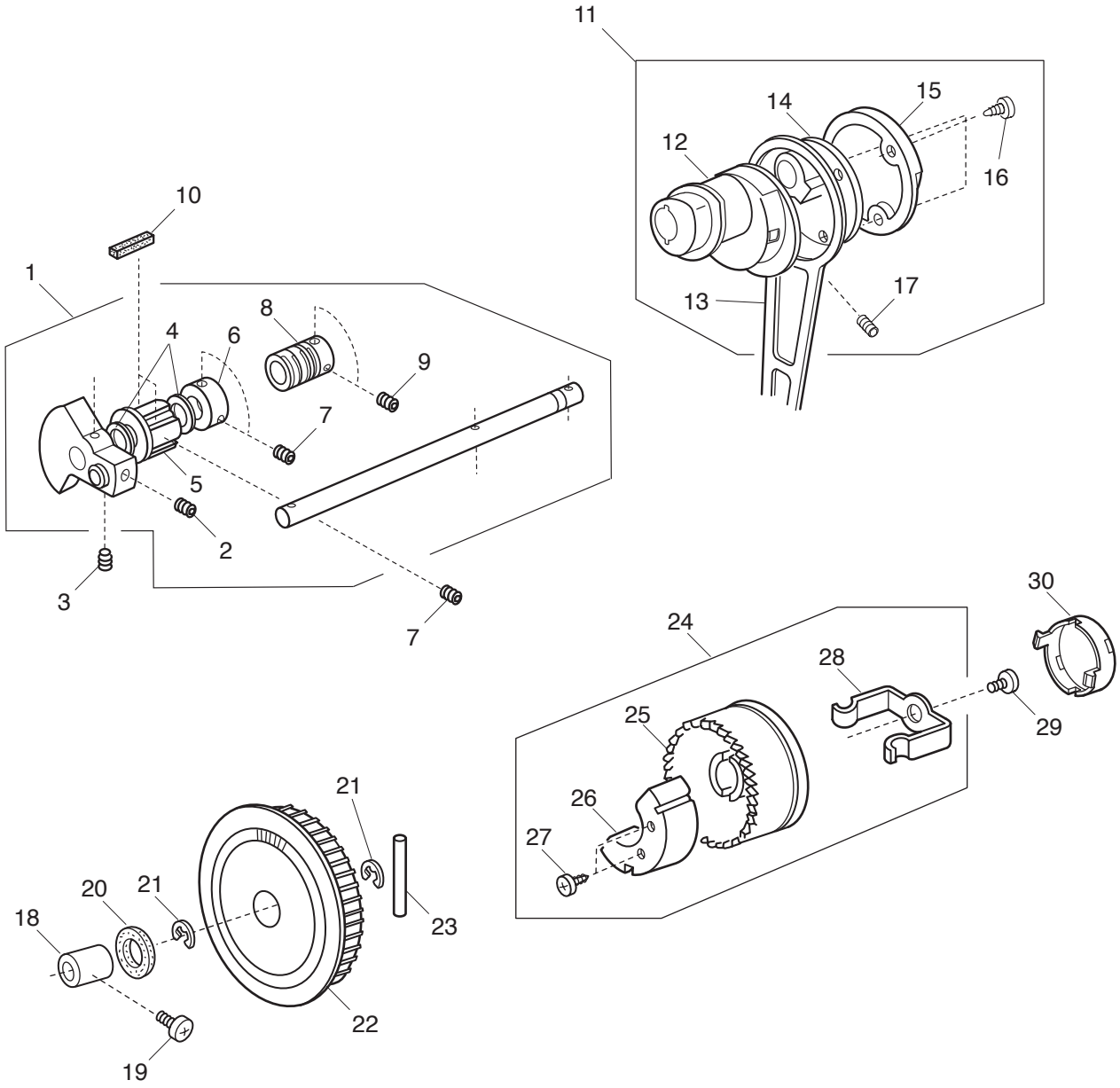
# PARTS LIST



# PARTS LIST

KEY NO.	PARTS NO.	DESCRIPTION
1	740007105	Face plate set plate
2	000081005	Setscrew 4x8
3	730024004	Needle bar supporter spring
4	000101404	Setscrew 4x6
5	305613006	Lamp socket (unit)
6	000009009	Lamp 240V 15W
7	000053709	Cord binder
8	301611105	Needle bar supporter (unit)
9	301032106	Needle bar supporter
10	730022002	Needle bar supporter pin
11	673022002	Wave washer
12	000070609	Plain washer
13	000002507	Snap ring E-4
14	000111902	Hexagonal socket screw 3x4
15	301034005	Threader shaft
16	000122906	Guide pin
17	734107004	Washer
18	734094007	Threader shaft spring
19	735196003	Threader guide plate
20	000101105	Setscrew 3x4
21	000003508	Knock pin
22	639643009	Threader plate (unit)
23	730503013	Needle bar (unit)
24	102408089	#14 Needle
25	735628009	Threader set plate (unit)
26	000097602	Setscrew 2x4
27	735197004	Threader set plate
28	735102009	Threader base plate
29	735119002	Zigzag rod
30	748021006	Zigzag rod plain washer
31	678084007	Eccentric pin
32	680504005	Needle bar connecting stud
33	735504008	Needle bar crank pin (unit)
34	625506109	Thread take-up lever pin
35	000002806	Snap ring E-6
36	000111304	Hexagonal socket screw 5x5
37	625506109	Thread take-up lever (unit)

# PARTS LIST

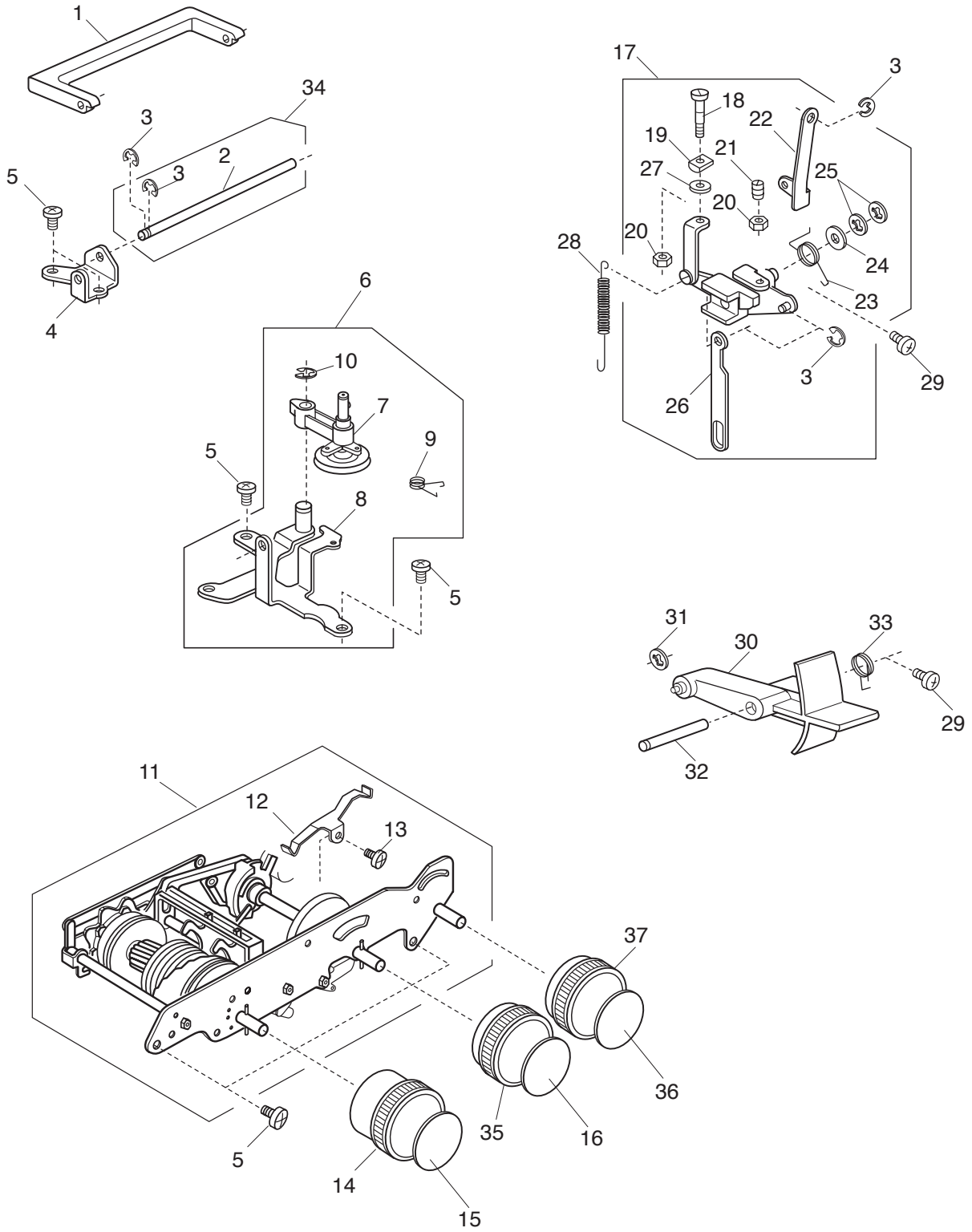




# PARTS LIST

KEY NO.	PARTS NO.	DESCRIPTION
1	304607004	Upper shaft (unit)
2	102073003	Setscrew
3	761052007	Setscrew
4	000036717	Thrust washer
5	732025001	Upper shaft front bushing
6	639095000	Ring
7	000111304	Hexagonal socket screw 5x5
8	749011109	Worm
9	000111201	Hexagonal socket screw 4x4
10	731312005	Felt
11	304609006	Crank rod (unit)
12	304042005	Feed cam
13	743011008	Crank rod
14	304044007	Crank cam
15	304043006	Crank cam plate
16	000161309	Tapping screw 3x12 (B)
17	000110107	Hexagonal socket screw 5x5
18	732003003	Upper shaft rear bushing
19	000172602	Setscrew 5x8
20	743029009	Felt
21	000030205	Snap ring E-8
22	743019006	Belt wheel
23	000023803	Spring pin
24	748605000	Handwheel (unit)
25	748007006	Handwheel
26	743030003	Balance weight
27	000121400	Tapping screw 3x14 (B)
28	639113016	Clutch spring
29	000081005	Setscrew 4x8
30	748009008	Clutch cap

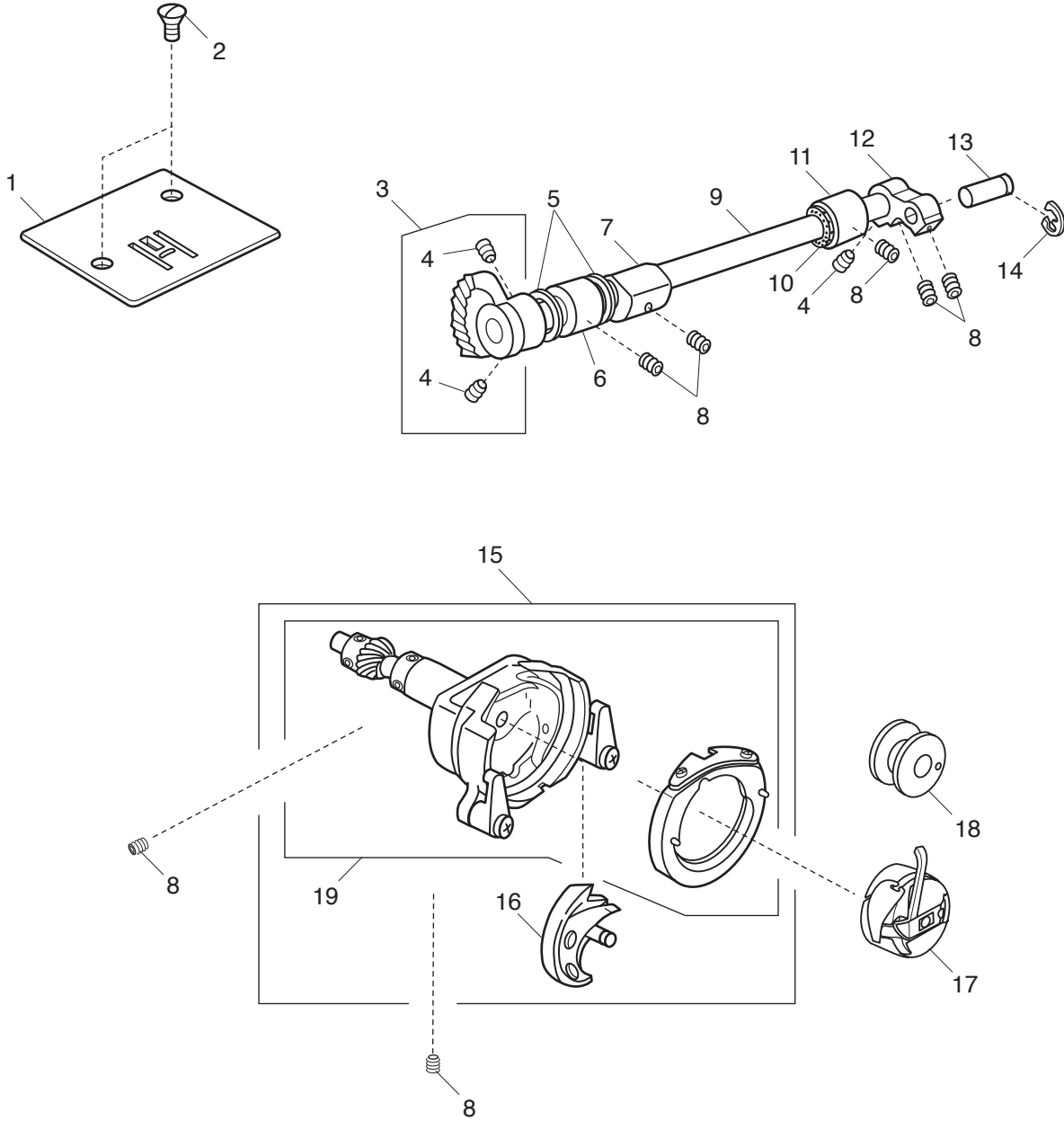
# PARTS LIST



# PARTS LIST

KEY NO.	PARTS NO.	DESCRIPTION
1	735017308	Handle
2	740011009	Handle shaft
3	000002105	Snap ring E-3
4	740010008	Handle supporter
5	000081005	Setscrew 4x8
6	740602209	Bobbin winder supporter (unit)
7	735501005	Bobbin winder arm (unit)
8	740003101	Bobbin winder base plate
9	740042009	Bobbin winder arm spring
10	000002806	Snap ring E-6
11	748604009	Zigzag mechanism (unit)
12	737011009	Index spring
13	000103808	Setscrew 3x5
14	748005037	Dial
15	748031009	Pattern indicator plate
16	748023008	Stitch length indicator plate
17	736604208	Feed regulator (unit)
18	735074004	SS adjusting screw
19	735076006	SS rod block
20	000160102	Adjustable lock nut 4
21	648010009	Setscrew
22	739020007	Feed regulating rod
23	735077007	Feed regulating body spring
24	735073003	Plain washer
25	000013800	Snap ring CS-6
26	745052007	Reverse link
27	000071013	Washer 4
28	740125007	Feed regulator spring
29	000101301	Setscrew 5x10
30	747007003	R button
31	000014007	Snap ring CS-4
32	736015000	R button shaft
33	739063002	R button spring
34	740624001	Carrying handle set pin (unit)
35	748014109	Dial
36	748020108	Zigzag width indicator plate
37	748014202	Dial

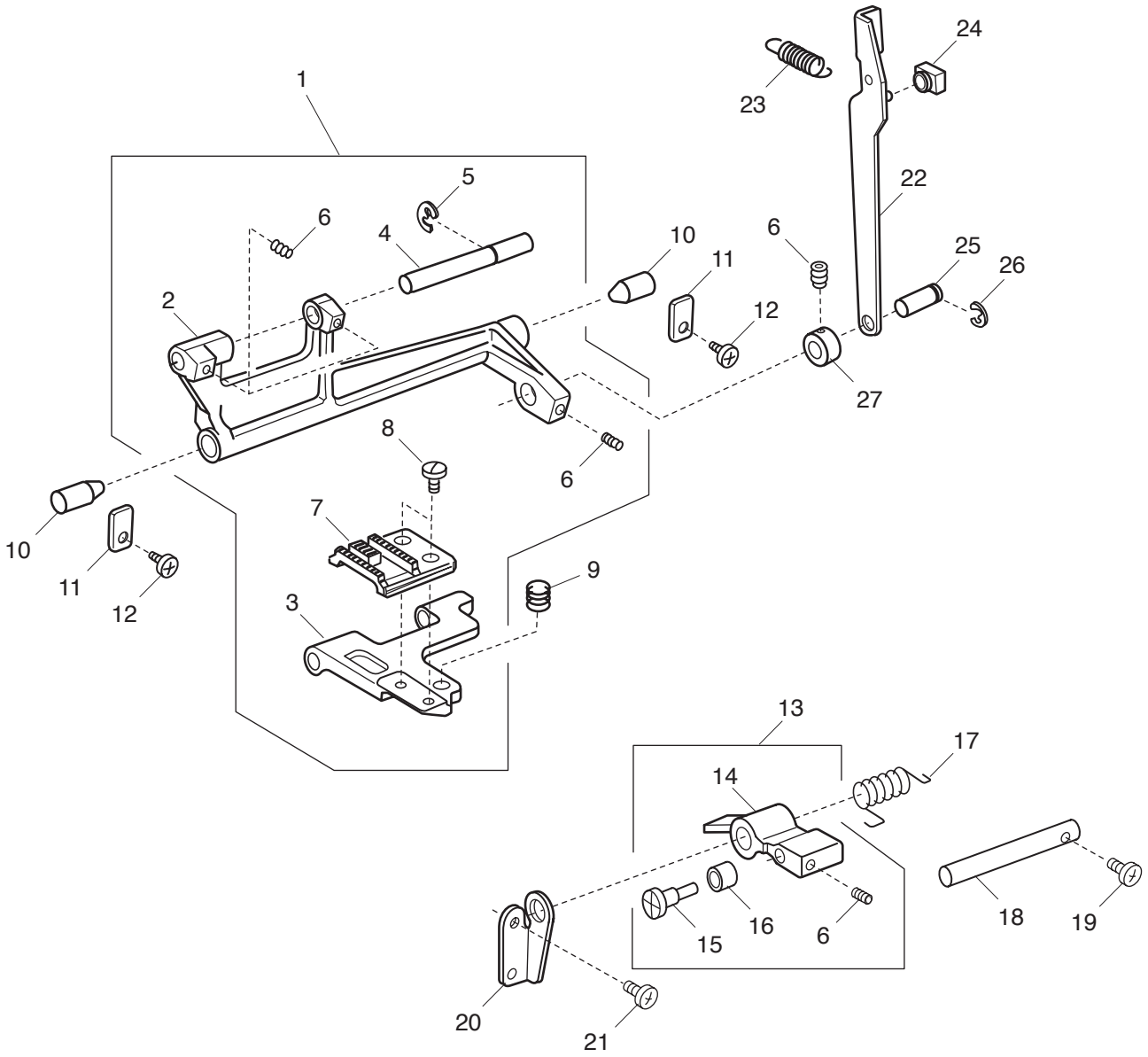
# PARTS LIST



# PARTS LIST

KEY NO.	PARTS NO.	DESCRIPTION
1	744004001	Needle plate
2	681009101	Setscrew
3	735950003	Lower shaft gear (unit)
4	000110107	Hexagonal socket screw 5x5WP
5	000036201	Washer 8-0.5
6	735233003	Bushing
7	735061008	Feed lifting cam
8	000111304	Hexagonal socket screw 5x5
9	735236006	Lower shaft
10	822070003	Felt
11	735234004	Bushing (rear)
12	639036003	Lower shaft crank arm
13	639037004	Pin
14	000001609	Snap ring E-5
15	735610101	Shuttle race body (unit)
16	532096007	Shuttle hook
17	647515006	Bobbin case (unit)
18	102261000	Bobbin
19	735508105	Shuttle race body (unit)

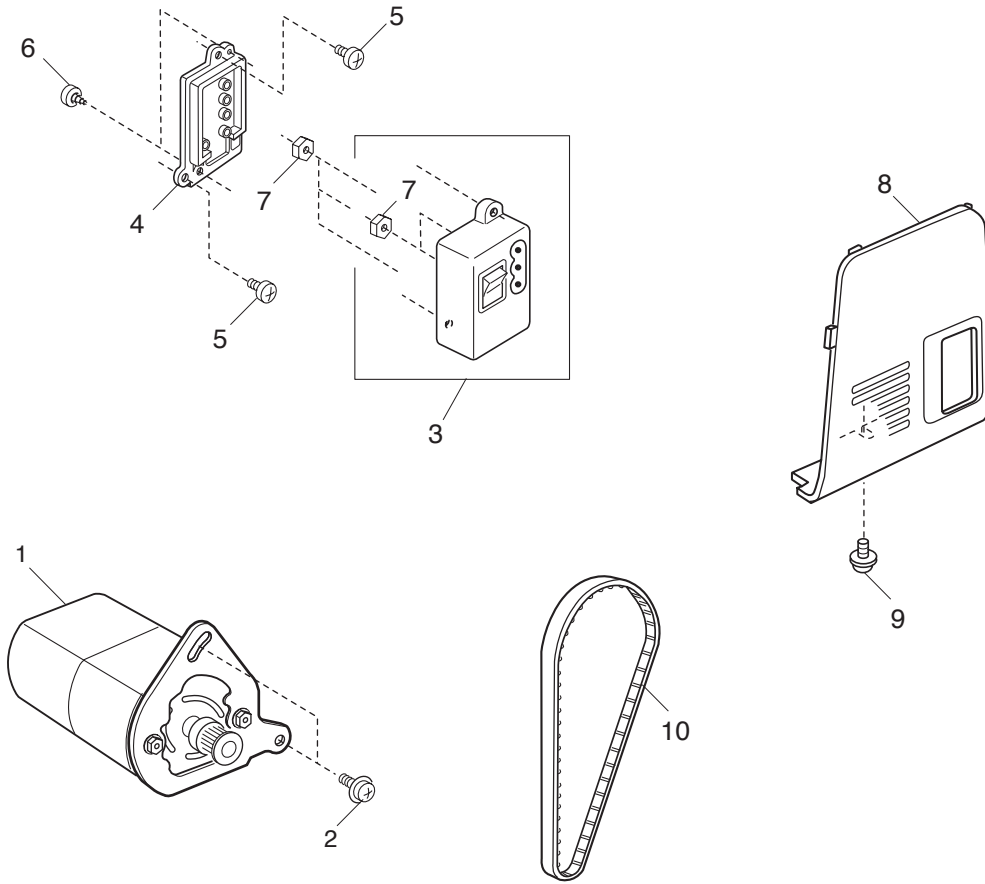
# PARTS LIST



# PARTS LIST

KEY NO.	PARTS NO.	DESCRIPTION
1	735612000	Feed rock shaft (unit)
2	735078008	Feed rock shaft
3	735079009	Feed bar
4	735080003	Feed bar shaft
5	000002507	Snap ring E-4
6	000111201	Hexagonal socket screw 4x4
7	735081004	Feed dog
8	735082005	Setscrew
9	735083006	Feed bar spring
10	735084007	Feed rock shaft center
11	735085008	Feed rock shaft center plate
12	000101404	Setscrew 4x6
13	301608006	Feed lifting arm (unit)
14	301027005	Feed lifting arm
15	735087000	Feed lifting pin
16	735088001	Feed lifting roller
17	735089002	Feed lifting spring
18	735090006	Feed lifting shaft
19	000097200	Setscrew 4x12
20	739022009	Feed lifting shaft holder
21	000081119	Setscrew 4x6
22	743012009	Feed rod
23	743013000	Feed rod spring
24	102141003	Feed regulator slid block
25	735071104	Feed rock shaft connecting pin
26	000002806	Snap ring E-6
27	735276008	Ring

# PARTS LIST





# PARTS LIST

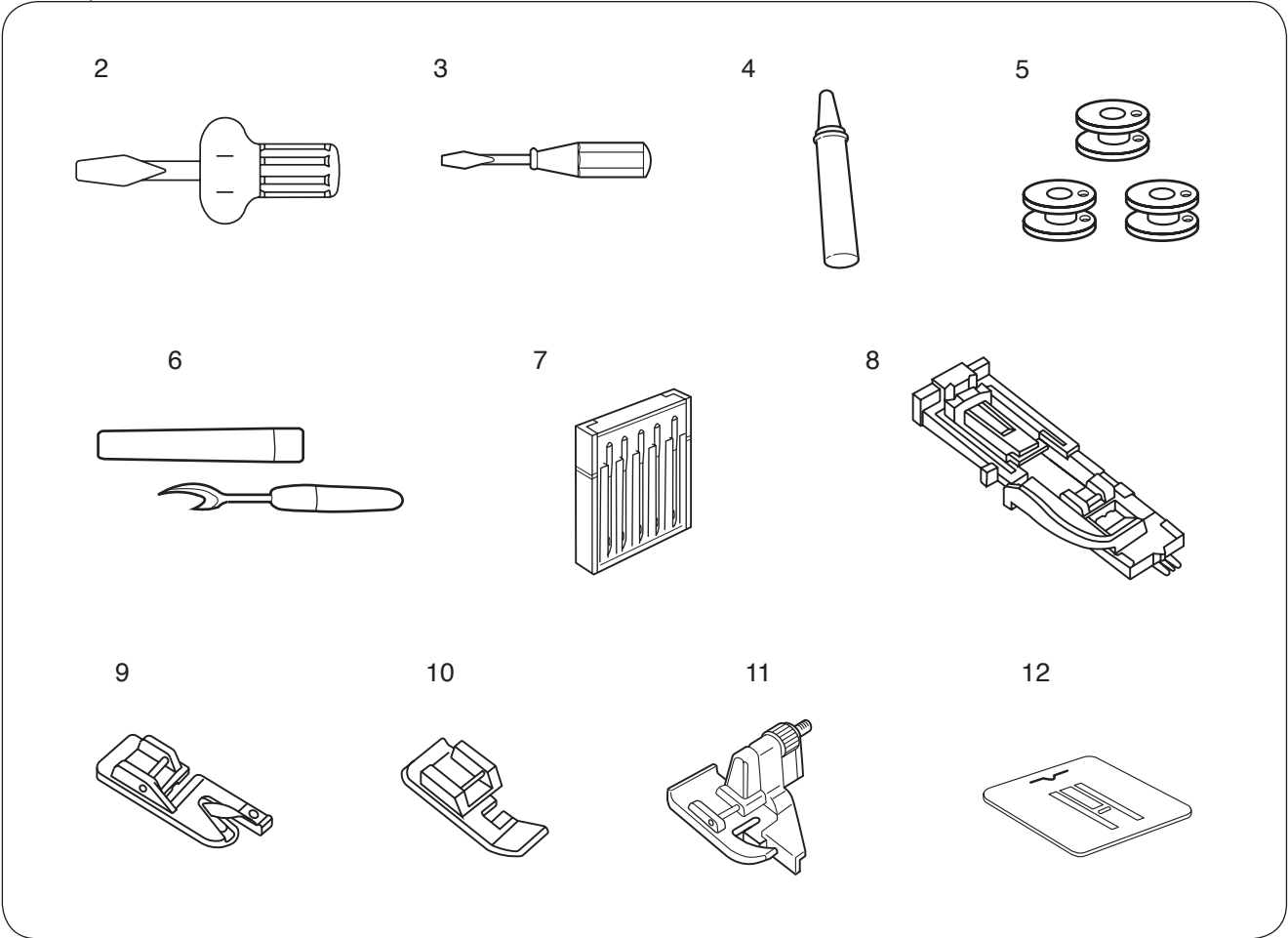
---

KEY NO.	PARTS NO.	DESCRIPTION
1	743611303	Motor assy
2	000201209	Setscrew 5x12
3	739503308	Machine socket unit
4	739037007	Machine socket cover
5	000103509	Setscrew 4x10
6	000107802	Setscrew 3x10
7	000060802	Nut
8	747013002	Belt cover
9	000115205	Setscrew TP 4x6
10	650166008	Motor timing belt

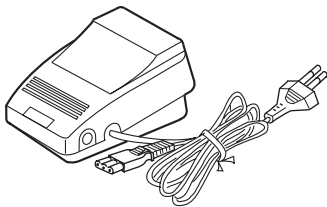
---

# PARTS LIST

1



13



14



# PARTS LIST

KEY NO.	PARTS NO.	DESCRIPTION
1	748870101	Accessory set
2	820832005	Large screw driver
3	647803004	Small screw driver
4	741814003	Oil
5	102261000	Bobbin
6	647808009	Seam ripper/Buttonhole poener
7	540401026	Needle set
8	740801004	Automatic buttonhole foot
9	743815000	Hemmer foot
10	611406002	Zipper foot
11	611411000	Blind hem foot
12	735801008	Darning plate
13	042870308	Foot control
14	748800395	Instruction book (Italian)